



ECOCAM

Camlock Fittings

Technical Specification

- Sizes 3/4" - 4"
- Available in Aluminium, Stainless Steel & Polypropylene
- Seals Buna Nitrile
- 4-10 Bar Maximum working pressures
- Working pressure on polypropylene couplings is dependant on the operational temperature
- BSP threads taper on the male parallel in the female
- Suitable for liquids, powders & granules
- Interchangeable with various other camlocks made to the same standard
- Passed the Action Three Point Quality Control checks

Features & Benefits

- Straight-through connection
- Light-weight
- Economical

Applications

- Light to medium duty
- Pipe, hose, tubing & tanks
- Conveying chemicals, cosmetics, food & drink

Code	Size	Connection	Material	Seal	Pressure BAR
Part A Male Adaptor by Female Thread					
075A-AL	3/4"	Male Adaptor by Female Thread	Aluminium	NA	10
075A-PG	3/4"	Male Adaptor by Female Thread	Polypropylene	NA	4
075A-SS	3/4"	Male Adaptor by Female Thread	Stainless Steel 316	NA	10
100A-AL	1"	Male Adaptor by Female Thread	Aluminium	NA	10
100A-PG	1"	Male Adaptor by Female Thread	Polypropylene	NA	4
100A-SS	1"	Male Adaptor by Female Thread	Stainless Steel 316	NA	10
125A-AL	1 1/4"	Male Adaptor by Female Thread	Aluminium	NA	10
125A-PG	1 1/4"	Male Adaptor by Female Thread	Polypropylene	NA	4
125A-SS	1 1/4"	Male Adaptor by Female Thread	Stainless Steel 316	NA	10
150A-AL	1 1/2"	Male Adaptor by Female Thread	Aluminium	NA	10
150A-PG	1 1/2"	Male Adaptor by Female Thread	Polypropylene	NA	4
150A-SS	1 1/2"	Male Adaptor by Female Thread	Stainless Steel 316	NA	10

Code	Size	Connection	Material	Seal	Pressure Bar
200A-AL	2"	Male Adaptor by Female Thread	Aluminium	NA	10
200A-PG	2"	Male Adaptor by Female Thread	Polypropylene	NA	4
200A-SS	2"	Male Adaptor by Female Thread	Stainless Steel 316	NA	10
250A-AL	2 1/2"	Male Adaptor by Female Thread	Aluminium	NA	10
250A-SS	2 1/2"	Male Adaptor by Female Thread	Stainless Steel 316	NA	10
300A-AL	3"	Male Adaptor by Female Thread	Aluminium	NA	10
300A-PG	3"	Male Adaptor by Female Thread	Polypropylene	NA	4
300A-SS	3"	Male Adaptor by Female Thread	Stainless Steel 316	NA	10
400A-AL	4"	Male Adaptor by Female Thread	Aluminium	NA	10
400A-SS	4"	Male Adaptor by Female Thread	Stainless Steel 316	NA	10

Part B Female Coupler by Male Thread

075B-AL	3/4"	Female Coupler by Male Thread	Aluminium	Buna Nitrile	10
075B-PG	3/4"	Female Coupler by Male Thread	Polypropylene	Buna Nitrile	4
075B-SS	3/4"	Female Coupler by Male Thread	Stainless Steel 316	Buna Nitrile	10
100B-AL	1"	Female Coupler by Male Thread	Aluminium	Buna Nitrile	10
100B-PG	1"	Female Coupler by Male Thread	Polypropylene	Buna Nitrile	4
100B-SS	1"	Female Coupler by Male Thread	Stainless Steel 316	Buna Nitrile	10
125B-AL	1 1/4"	Female Coupler by Male Thread	Aluminium	Buna Nitrile	10
125B-PG	1 1/4"	Female Coupler by Male Thread	Polypropylene	Buna Nitrile	4
125B-SS	1 1/4"	Female Coupler by Male Thread	Stainless Steel 316	Buna Nitrile	10
150B-AL	1 1/2"	Female Coupler by Male Thread	Aluminium	Buna Nitrile	10
150B-PG	1 1/2"	Female Coupler by Male Thread	Polypropylene	Buna Nitrile	4
150B-SS	1 1/2"	Female Coupler by Male Thread	Stainless Steel 316	Buna Nitrile	10
200B-AL	2"	Female Coupler by Male Thread	Aluminium	Buna Nitrile	10
200B-PG	2"	Female Coupler by Male Thread	Polypropylene	Buna Nitrile	4
200B-SS	2"	Female Coupler by Male Thread	Stainless Steel 316	Buna Nitrile	10
250B-AL	2 1/2"	Female Coupler by Male Thread	Aluminium	Buna Nitrile	10
250B-SS	2 1/2"	Female Coupler by Male Thread	Stainless Steel 316	Buna Nitrile	10
300B-AL	3"	Female Coupler by Male Thread	Aluminium	Buna Nitrile	10
300B-PG	3"	Female Coupler by Male Thread	Polypropylene	Buna Nitrile	4
300B-SS	3"	Female Coupler by Male Thread	Stainless Steel 316	Buna Nitrile	10
400B-AL	4"	Female Coupler by Male Thread	Aluminium	Buna Nitrile	10
400B-SS	4"	Female Coupler by Male Thread	Stainless Steel 316	Buna Nitrile	10

Code	Size	Connection	Material	Seal	Pressure Bar
Part C Female Coupler by Hose Tail					
075C-AL	3/4"	Female Coupler by Hose Tail	Aluminium	Buna Nitrile	10
075C-PG	3/4"	Female Coupler by Hose Tail	Polypropylene	Buna Nitrile	4
075C-SS	3/4"	Female Coupler by Hose Tail	Stainless Steel 316	Buna Nitrile	10
100C-AL	1"	Female Coupler by Hose Tail	Aluminium	Buna Nitrile	10
100C-PG	1"	Female Coupler by Hose Tail	Polypropylene	Buna Nitrile	4
100C-SS	1"	Female Coupler by Hose Tail	Stainless Steel 316	Buna Nitrile	10
125C-AL	1 1/4"	Female Coupler by Hose Tail	Aluminium	Buna Nitrile	10
125C-PG	1 1/4"	Female Coupler by Hose Tail	Polypropylene	Buna Nitrile	4
125C-SS	1 1/4"	Female Coupler by Hose Tail	Stainless Steel 316	Buna Nitrile	10
150C-AL	1 1/2"	Female Coupler by Hose Tail	Aluminium	Buna Nitrile	10
150C-PG	1 1/2"	Female Coupler by Hose Tail	Polypropylene	Buna Nitrile	4
150C-SS	1 1/2"	Female Coupler by Hose Tail	Stainless Steel 316	Buna Nitrile	10
200C-AL	2"	Female Coupler by Hose Tail	Aluminium	Buna Nitrile	10
200C-PG	2"	Female Coupler by Hose Tail	Polypropylene	Buna Nitrile	4
200C-SS	2"	Female Coupler by Hose Tail	Stainless Steel 316	Buna Nitrile	10
250C-AL	2 1/2"	Female Coupler by Hose Tail	Aluminium	Buna Nitrile	10
250C-SS	2 1/2"	Female Coupler by Hose Tail	Stainless Steel 316	Buna Nitrile	10
300C-AL	3"	Female Coupler by Hose Tail	Aluminium	Buna Nitrile	10
300C-PG	3"	Female Coupler by Hose Tail	Polypropylene	Buna Nitrile	4
300C-SS	3"	Female Coupler by Hose Tail	Stainless Steel 316	Buna Nitrile	10
400C-AL	4"	Female Coupler by Hose Tail	Aluminium	Buna Nitrile	10
400C-SS	4"	Female Coupler by Hose Tail	Stainless Steel 316	Buna Nitrile	10

Code	Size	Connection	Material	Seal	Pressure Bar
Part D Female Coupler by Female Thread					
075D-AL	3/4"	Female Coupler by Female Thread	Aluminium	Buna Nitrile	10
075D-PG	3/4"	Female Coupler by Female Thread	Polypropylene	Buna Nitrile	4
075D-SS	3/4"	Female Coupler by Female Thread	Stainless Steel 316	Buna Nitrile	10
100D-AL	1"	Female Coupler by Female Thread	Aluminium	Buna Nitrile	10
100D-PG	1"	Female Coupler by Female Thread	Polypropylene	Buna Nitrile	4
100D-SS	1"	Female Coupler by Female Thread	Stainless Steel 316	Buna Nitrile	10
125D-AL	1 1/4"	Female Coupler by Female Thread	Aluminium	Buna Nitrile	10
125D-PG	1 1/4"	Female Coupler by Female Thread	Polypropylene	Buna Nitrile	4
125D-SS	1 1/4"	Female Coupler by Female Thread	Stainless Steel 316	Buna Nitrile	10
150D-AL	1 1/2"	Female Coupler by Female Thread	Aluminium	Buna Nitrile	10
150D-PG	1 1/2"	Female Coupler by Female Thread	Polypropylene	Buna Nitrile	4
150D-SS	1 1/2"	Female Coupler by Female Thread	Stainless Steel 316	Buna Nitrile	10
200D-AL	2"	Female Coupler by Female Thread	Aluminium	Buna Nitrile	10
200D-PG	2"	Female Coupler by Female Thread	Polypropylene	Buna Nitrile	4
200D-SS	2"	Female Coupler by Female Thread	Stainless Steel 316	Buna Nitrile	10
250D-AL	2 1/2"	Female Coupler by Female Thread	Aluminium	Buna Nitrile	10
250D-SS	2 1/2"	Female Coupler by Female Thread	Stainless Steel 316	Buna Nitrile	10
300D-AL	3"	Female Coupler by Female Thread	Aluminium	Buna Nitrile	10
300D-PG	3"	Female Coupler by Female Thread	Polypropylene	Buna Nitrile	4
300D-SS	3"	Female Coupler by Female Thread	Stainless Steel 316	Buna Nitrile	10
400D-AL	4"	Female Coupler by Female Thread	Aluminium	Buna Nitrile	10
400D-SS	4"	Female Coupler by Female Thread	Stainless Steel 316	Buna Nitrile	10

Part E Male Adaptor by Hose Tail

075E-AL	3/4"	Male Adaptor by Hose Tail	Aluminium	NA	10
075E-PG	3/4"	Male Adaptor by Hose Tail	Polypropylene	NA	4
075E-SS	3/4"	Male Adaptor by Hose Tail	Stainless Steel 316	NA	10
100E-AL	1"	Male Adaptor by Hose Tail	Aluminium	NA	10
100E-PG	1"	Male Adaptor by Hose Tail	Polypropylene	NA	4
100E-SS	1"	Male Adaptor by Hose Tail	Stainless Steel 316	NA	10
125E-AL	1 1/4"	Male Adaptor by Hose Tail	Aluminium	NA	10
125E-PG	1 1/4"	Male Adaptor by Hose Tail	Polypropylene	NA	4
125E-SS	1 1/4"	Male Adaptor by Hose Tail	Stainless Steel 316	NA	10

Code	Size	Connection	Material	Seal	Pressure Bar
150E-AL	1 1/2"	Male Adaptor by Hose Tail	Aluminium	NA	10
150E-PG	1 1/2"	Male Adaptor by Hose Tail	Polypropylene	NA	4
150E-SS	1 1/2"	Male Adaptor by Hose Tail	Stainless Steel 316	NA	10
200E-AL	2"	Male Adaptor by Hose Tail	Aluminium	NA	10
200E-PG	2"	Male Adaptor by Hose Tail	Polypropylene	NA	4
200E-SS	2"	Male Adaptor by Hose Tail	Stainless Steel 316	NA	10
250E-AL	2 1/2"	Male Adaptor by Hose Tail	Aluminium	NA	10
250E-SS	2 1/2"	Male Adaptor by Hose Tail	Stainless Steel 316	NA	10
300E-AL	3"	Male Adaptor by Hose Tail	Aluminium	NA	10
300E-PG	3"	Male Adaptor by Hose Tail	Polypropylene	NA	4
300E-SS	3"	Male Adaptor by Hose Tail	Stainless Steel 316	NA	10
400E-AL	4"	Male Adaptor by Hose Tail	Aluminium	NA	10
400E-SS	4"	Male Adaptor by Hose Tail	Stainless Steel 316	NA	10

Part F Male Adaptor by Male Thread

075F-AL	3/4"	Male Adaptor by Male Thread	Aluminium	NA	10
075F-PG	3/4"	Male Adaptor by Male Thread	Polypropylene	NA	4
075F-SS	3/4"	Male Adaptor by Male Thread	Stainless Steel 316	NA	10
100F-AL	1"	Male Adaptor by Male Thread	Aluminium	NA	10
100F-PG	1"	Male Adaptor by Male Thread	Polypropylene	NA	4
100F-SS	1"	Male Adaptor by Male Thread	Stainless Steel 316	NA	10
125F-AL	1 1/4"	Male Adaptor by Male Thread	Aluminium	NA	10
125F-PG	1 1/4"	Male Adaptor by Male Thread	Polypropylene	NA	4
125F-SS	1 1/4"	Male Adaptor by Male Thread	Stainless Steel 316	NA	10
150F-AL	1 1/2"	Male Adaptor by Male Thread	Aluminium	NA	10
150F-PG	1 1/2"	Male Adaptor by Male Thread	Polypropylene	NA	4
150F-SS	1 1/2"	Male Adaptor by Male Thread	Stainless Steel 316	NA	10
200F-AL	2"	Male Adaptor by Male Thread	Aluminium	NA	10
200F-PG	2"	Male Adaptor by Male Thread	Polypropylene	NA	4
200F-SS	2"	Male Adaptor by Male Thread	Stainless Steel 316	NA	10
250F-AL	2 1/2"	Male Adaptor by Male Thread	Aluminium	NA	10
250F-SS	2 1/2"	Male Adaptor by Male Thread	Stainless Steel 316	NA	10
300F-AL	3"	Male Adaptor by Male Thread	Aluminium	NA	10
300F-PG	3"	Male Adaptor by Male Thread	Polypropylene	NA	4
400F-AL	4"	Male Adaptor by Male Thread	Aluminium	NA	10

Part DC Dust Cap

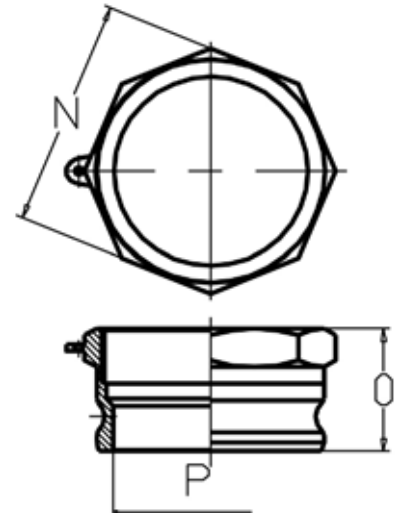
075DC-AL	3/4"	Dust Cap	Aluminium	Buna Nitrile	10
075DC-PG	3/4"	Dust Cap	Polypropylene	Buna Nitrile	4
075DC-SS	3/4"	Dust Cap	Stainless Steel 316	Buna Nitrile	10
100DC-AL	1"	Dust Cap	Aluminium	Buna Nitrile	10
100DC-PG	1"	Dust Cap	Polypropylene	Buna Nitrile	4
100DC-SS	1"	Dust Cap	Stainless Steel 316	Buna Nitrile	10
125DC-AL	1 1/4"	Dust Cap	Aluminium	Buna Nitrile	10
125DC-SS	1 1/4"	Dust Cap	Stainless Steel 316	Buna Nitrile	10
150DC-AL	1 1/2"	Dust Cap	Aluminium	Buna Nitrile	10
Code	Size	Connection	Material	Seal	Pressure Bar
150DC-PG	1 1/2"	Dust Cap	Polypropylene	Buna Nitrile	4
150DC-SS	1 1/2"	Dust Cap	Stainless Steel 316	Buna Nitrile	10
200DC-AL	2"	Dust Cap	Aluminium	Buna Nitrile	10
200DC-PG	2"	Dust Cap	Polypropylene	Buna Nitrile	4
200DC-SS	2"	Dust Cap	Stainless Steel 316	Buna Nitrile	10
250DC-AL	2 1/2"	Dust Cap	Aluminium	Buna Nitrile	10
250DC-SS	2 1/2"	Dust Cap	Stainless Steel 316	Buna Nitrile	10
300DC-AL	3"	Dust Cap	Aluminium	Buna Nitrile	10
300DC-PG	3"	Dust Cap	Polypropylene	Buna Nitrile	4
300DC-SS	3"	Dust Cap	Stainless Steel 316	Buna Nitrile	10
400DC-AL	4"	Dust Cap	Aluminium	Buna Nitrile	10
400DC-SS	4"	Dust Cap	Stainless Steel 316	Buna Nitrile	10

Part DP Dust Plug

075DP-AL	3/4"	Dust Plug	Aluminium	NA	10
075DP-PG	3/4"	Dust Plug	Polypropylene	NA	4
075DP-SS	3/4"	Dust Plug	Stainless Steel 316	NA	10
100DP-AL	1"	Dust Plug	Aluminium	NA	10
100DP-PG	1"	Dust Plug	Polypropylene	NA	4
100DP-SS	1"	Dust Plug	Stainless Steel 316	NA	10
125DP-AL	1 1/4"	Dust Plug	Aluminium	NA	10
125DP-SS	1 1/4"	Dust Plug	Stainless Steel 316	NA	10
150DP-AL	1 1/2"	Dust Plug	Aluminium	NA	10
150DP-PG	1 1/2"	Dust Plug	Polypropylene	NA	4
150DP-SS	1 1/2"	Dust Plug	Stainless Steel 316	NA	10
200DP-AL	2"	Dust Plug	Aluminium	NA	10
200DP-PG	2"	Dust Plug	Polypropylene	NA	4
200DP-SS	2"	Dust Plug	Stainless Steel 316	NA	10
250DP-AL	2 1/2"	Dust Plug	Aluminium	NA	10
250DP-SS	2 1/2"	Dust Plug	Stainless Steel 316	NA	10
300DP-AL	3"	Dust Plug	Aluminium	NA	10
300DP-PG	3"	Dust Plug	Polypropylene	NA	4
300DP-SS	3"	Dust Plug	Stainless Steel 316	NA	10
400DP-AL	4"	Dust Plug	Aluminium	NA	10
400DP-SS	4"	Dust Plug	Stainless Steel 316	NA	10

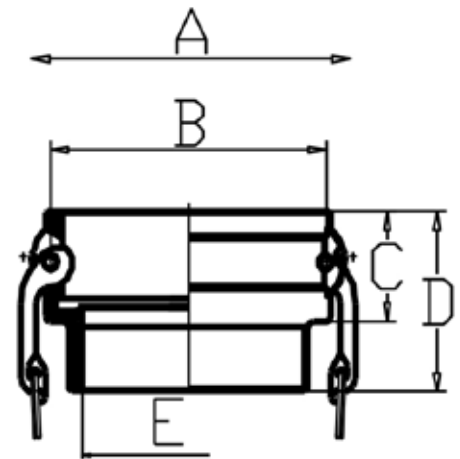
Part A Dimensions (mm)

Camlock Size	N	O	P
1/2"	25.4	39.9	13.8
3/4"	32.5	43	21.6
1"	38	48.23	24.6
1 1/4"	47	54.12	29.5
1 1/2"	54.3	55.85	37
2"	67.3	62.2	46.25
2 1/2"	80.4	86.28	58.5
3"	96	69.8	75
4"	122	76.78	101.2
5"	148.5	80.4	126.5
6"	195	82.55	152.5
8"	246	87.9	190



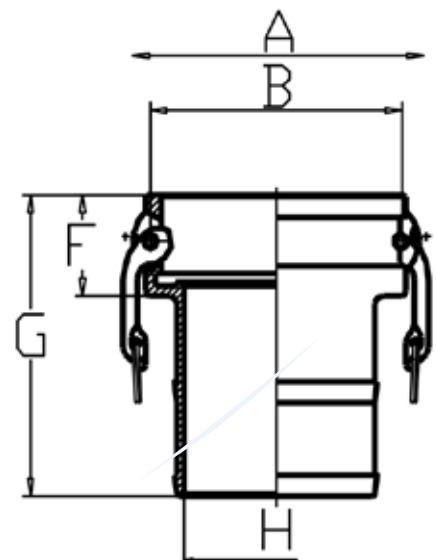
Part B Dimensions (mm)

Camlock Size	A	B	C	D	E
1/2"	101.2	32	28	43	14.1
3/4"	120.46	41.2	32	48	19
1"	125.26	46	37.3	56.9	25.2
1 1/4"	184.2	56.25	43	63.5	32.7
1 1/2"	191.5	63	43.4	63.9	38.6
2"	201.1	75	50.5	74	49.85
2 1/2"	229.72	87.2	52	83	63.2
3"	257.6	102.5	53.5	86	77.1
4"	276.4	131.31	56.8	93.3	101.7
5"	369.1	162	58.5	97.5	127
6"	406	194	61.5	105	152
8"	455.6	254	68.4	118.4	190



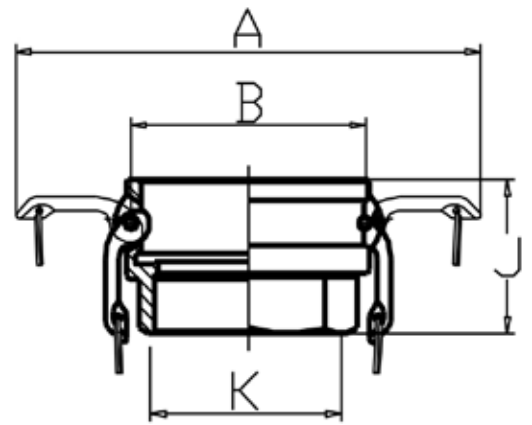
Part C Dimensions (mm)

Camlock Size	A	B	F	G	H
1/2"	101.2	32	28	62.6	8
3/4"	120.46	41.2	32	84	14.2
1"	125.26	46	37.3	93.3	20.8
1 1/4"	184.2	56.25	43	99	26.5
1 1/2"	191.5	63	43.4	104.4	31.75
2"	201.1	75	50.5	120.35	44
2 1/2"	229.72	87.2	52	132	57
3"	257.6	102.5	53.5	154.5	68.8
4"	276.4	131.31	56.8	162.8	93.2
5"	369.1	162	58.5	177.1	118.9
6"	406	194	62.1	233.1	144.4
8"	455.6	254	68.4	248.4	190



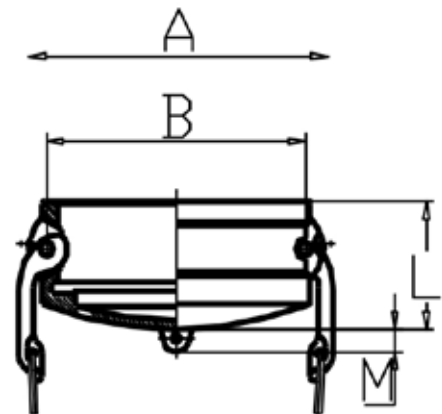
Part D Dimensions (mm)

Camlock Size	A	B	J	K
1/2"	101.2	32	42.5	25.4
3/4"	120.46	41.2	48	31.4
1"	125.26	46	56.7	38
1 1/4"	184.2	56.25	63.5	47
1 1/2"	191.5	63	63.9	54.3
2"	201.1	75	72	67.3
2 1/2"	229.72	87.2	80	80.4
3"	257.6	102.5	82.5	95
4"	276.4	131.31	94.3	122
5"	369.1	162	92.7	148.5
6"	406	194	99.1	176.4
8"	455.6	254	120.4	247



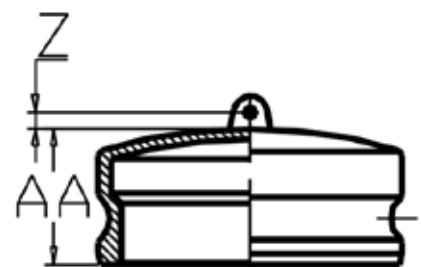
Part DC Dimensions (mm)

Camlock Size	A	B	L	M
1/2"	101.2	32	29	8
3/4"	120.46	41.2	33	8
1"	125.26	46	38.5	8
1 1/4"	184.2	56.25	45	8
1 1/2"	191.5	63	45.4	9
2"	201.1	75	52.5	9
2 1/2"	229.72	87.2	54	10
3"	257.6	102.5	56	11
4"	276.4	131.31	60	11
5"	369.1	162	60	11
6"	406	194	65.1	12
8"	455.6	254	83.2	14



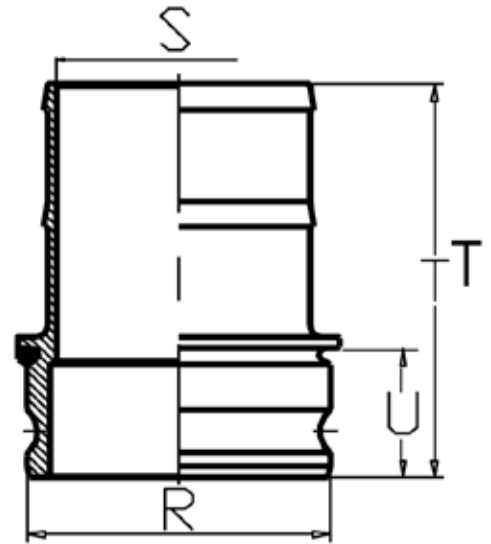
Part DP Dimension (mm)

Camlock Size	Z	AA
1/2"	8	26
3/4"	8	29.5
1"	8	34.7
1 1/4"	8	41.6
1 1/2"	9	43.15
2"	9	49.5
2 1/2"	10	51.28
3"	11	53.8
4"	11	56
5"	11	57
6"	12	59.5
8"	14	68.8



Part E Dimension (mm)

Camlock Size	R	S	T	U
1/2"	23.84	8	72	25.4
3/4"	32.1	14.2	92.5	28.5
1"	36.73	20.8	101.5	33.53
1 1/4"	45.52	26.6	107.62	39.62
1 1/2"	53.47	31.75	114.15	41.15
2"	63.09	44	129.35	47.5
2 1/2"	75.8	57	142.28	49.28
3"	91.54	68.8	164.8	50.8
4"	119.58	93.2	171.58	52.58
5"	145.6	118.9	186.6	55
6"	175.93	144.4	234.15	57.15
8"	226.67	188	243.6	65.15



Part F Dimension (mm)

Camlock Size	V	W	X	Y
1/2"	25.4	54.9	39.9	13.8
3/4"	32.5	59	43	21.6
1"	37.75	67.83	48.23	24.6
1 1/4"	47.5	74.62	54.12	29.5
1 1/2"	55	76.35	55.85	37
2"	66.8	85.7	62.2	49.85
2 1/2"	80.4	99.28	68.28	58.5
3"	96	102.3	69.8	75
4"	122	111.48	74.98	101.2
5"	148.5	119.4	80.4	126.5
6"	195	126.55	83.05	152.5
8"	246	132.9	82.9	190

