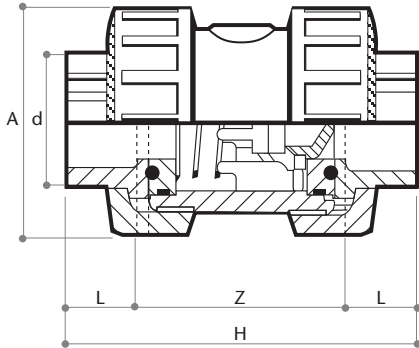




CVD13

Double Union Check Valves with plain ends for solvent welding EPDM Seals



d	DN	L	Z	H	A	PN	Kg. ABS	Kg. PVC
1/2"	15	16	48	80	50	16	0.087	0.110
3/4"	20	19	53	91	60	16	0.135	0.168
1"	25	22	58	102	68	16	0.196	0.246
1 1/4"	32	26	68	120	80	16	0.290	0.360
1 1/2"	40	31	78	140	96	16	0.476	0.595
2"	50	38	93	169	116	16	0.777	0.970