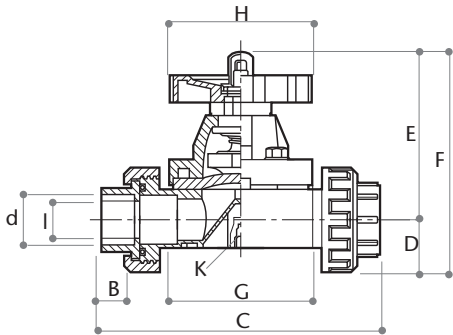




DVD13

Diaphragm valves with double union ends
for solvent weld EPDM Diaphragm



d	B	C	D	E	F	G	H	I	K	Kg. PVC
3/8"	17	156	24	93	117	73	82	10	M-6	0.428
1/2"	17	156	24	93	117	73	82	15	M-6	0.426
3/4"	19	168	27	98	125	83	82	20	M-6	0.535
1"	22	184	33	107	140	93	94	25	M-6	0.760
1 1/4"	27	205	39	113	152	102	94	32	M-8	1.015
1 1/2"	35	228	50	121	171	115	117	40	M-8	1.594
2"	32	245	47	123	170	122	117	50	M-8	1.929