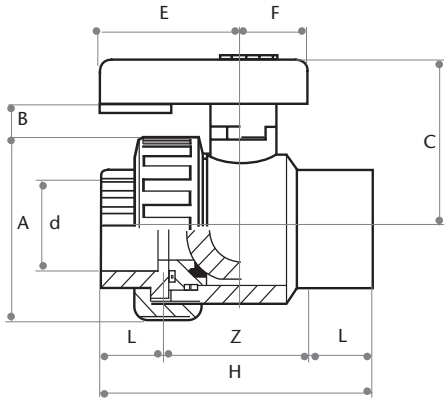




BVS13

Single Union Ball Valves with plain ends
for solvent welding EPDM Seals



d	L	Z	H	A	B	C	E	F	Kg. PVC
3/8"	14	47	75	50	10	48	39	19	0.100
1/2"	16	46	78	50	10	48	39	19	0.110
3/4"	19	52	90	60	11	54	47	22	0.170
1"	22	59	103	68	13	62	55	25	0.250
1 1/4"	26	68	120	80	18	75	60	30	0.370
1 1/2"	31	75	137	96	20	87	68	35	0.560
2"	38	92	168	116	20	101	80	40	0.980
2 1/2"	44	124	212	145	25	123	90	45	1.825
3"	51	147	249	166	28	138	100	50	2.900
4"	61	159	281	210	28	160	120	60	4.790