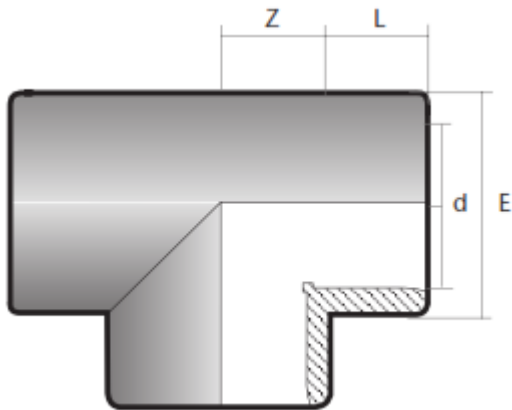




TE43 ABS Plastic Equal Tees (Plain)



d	L	Z	E	Kg. ABS	Kg.
1/2"	16	11	27.5	0.016	0.021
3/4"	19	14	33.5	0.026	0.035
1"	22	17	42	0.047	0.063
1 1/4"	26	21	51	0.076	0.101
1 1/2"	31	26	61	0.153	0.207
2"	38	33	75	0.274	0.365
2 1/2"	44	39	89	0.373	0.495
3"	51	47	106	0.630	0.837
4"	61	57	129	1.083	1.440
5"	76	72	162.5	1.917	2.610
6"	86	81	188	3.720	4.950
8"	119	114	258	8.350	11.10