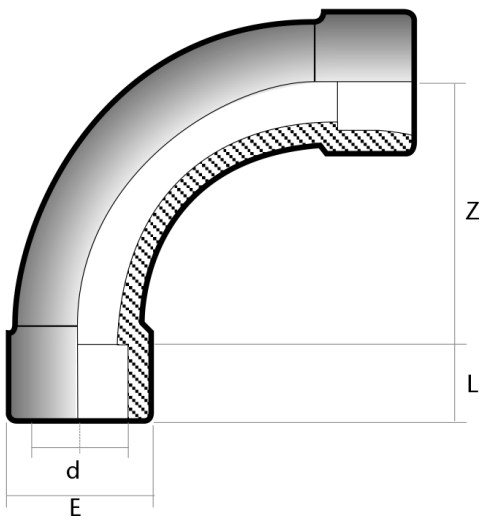




## BE33 ABS Short Radius 90° Bend



d	L	Z	E	Kg. ABS	Kg. PVC
1/2"	16	40	28	0.030	0.038
3/4"	19	50	35	0.045	0.059
1"	22	64	42	0.090	0.118
1 1/4"	26	80	51	0.138	0.180
1 1/2"	31	100	63	0.245	0.320
2"	38	126	77	0.410	0.535
2 1/2"	44	150	94	0.780	1.015
3"	51	180	113	1.220	1.590
4"	61	220	132	2.030	2.640