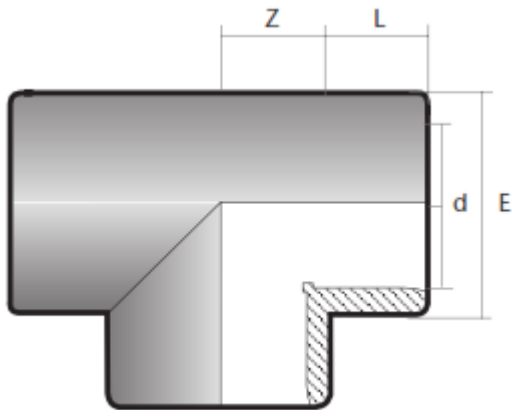




TE43 UPVC Plastic Equal Tees (Plain)



d	L	Z	E	Kg. ABS	Kg.
1/2"	16	11	27.5	0.016	0.021
3/4"	19	14	33.5	0.026	0.035
1"	22	17	42	0.047	0.063
1 1/4"	26	21	51	0.076	0.101
1 1/2"	31	26	61	0.153	0.207
2"	38	33	75	0.274	0.365
2 1/2"	44	39	89	0.373	0.495
3"	51	47	106	0.630	0.837
4"	61	57	129	1.083	1.440
5"	76	72	162.5	1.917	2.610
6"	86	81	188	3.720	4.950
8"	119	114	258	8.350	11.10