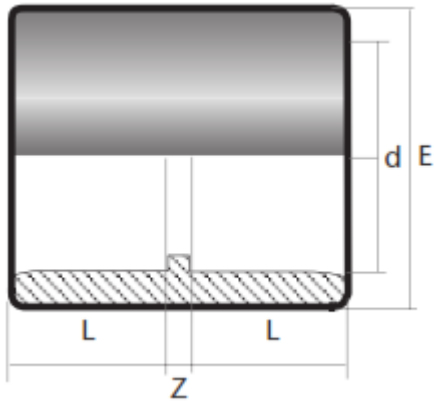




## SO13 UPVC Plastic Sockets (Plain)



d	L	Z	E	Kg. ABS	Kg. PVC
1/2"	16	3	28	0.010	0.013
3/4"	19	3	34	0.016	0.020
1"	22	3	42	0.025	0.033
1 1/4"	26	3	51	0.042	0.056
1 1/2"	31	3	61	0.067	0.089
2"	38	3	75	0.126	0.168
2 1/2"	44	4	88	0.167	0.222
3"	51	5	106	0.279	0.372
4"	61	6	129	0.466	0.620
5"	76	9	161	0.827	1.100
6"	86	11	191	1.247	1.658
8"	119	11	258	3.160	4.200