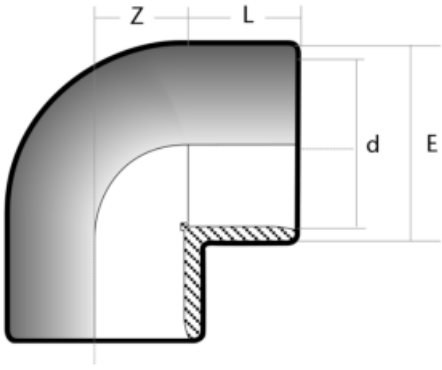




EL53 UPVC 90° Elbows (Plain)



d	L	Z	E	Kg. ABS	Kg. PVC
1/2"	16	11	26.5	0.011	0.015
3/4"	19	14	32.5	0.018	0.024
1"	22	17	41	0.032	0.042
1 1/4"	26	23	50	0.054	0.072
1 1/2"	31	28	60	0.112	0.150
2"	38	34	75	0.214	0.285
2 1/2"	44	40	89	0.285	0.375
3"	51	48	106	0.492	0.655
4"	61	58	129	0.812	1.080
5"	76	73	164	1.500	1.990
6"	86	81	188	3.000	3.990
8"	119	115	258	6.465	8.600