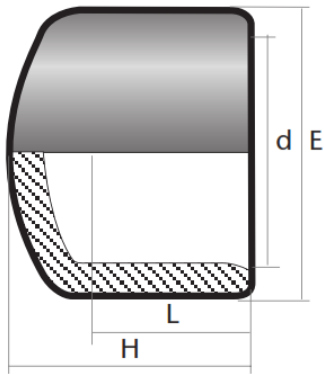




CA73 UPVC End Caps (Plain)



d	L	H	E	Kg. ABS	Kg. PVC
1/2"	16	27	28	0.008	0.010
3/4"	19	31	33	0.012	0.016
1"	22	36	41	0.020	0.026
1 1/4"	26	43	50	0.030	0.040
1 1/2"	31	49	60.5	0.055	0.073
2"	38	57	75	0.096	0.128
2 1/2"	44	67	89	0.133	0.178
3"	51	80	106	0.228	0.310
4"	61	95	129	0.390	0.520
5"	76	114	161	0.713	0.920
6"	86	126	181	1.021	1.317
8"	119	145	258	2.615	3.478