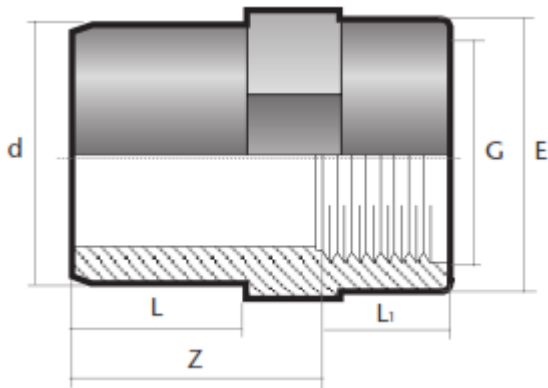




AD32 UPVC Female Straight Adaptor



- Plain / BSP Threaded



dxG	L	L1	E	Z	C	Kg. ABS	Kg. PVC
1/2" x 1/2"	16	15	28	24	30	0.019	0.023
3/4" x 3/4"	19	16.3	34	27	36	0.022	0.028
1" x 1"	22	19.1	42	30	46	0.036	0.046
1 1/4" x 1 1/4"	26	21.4	51	36	55	0.052	0.070
1 1/2" x 1 1/2"	31	21.4	58	41	60	0.057	0.075
2" x 2"	38	25.7	75	48	75	0.100	0.130
2 1/2" x 2 1/2"	44	30.2	89	58	90	0.190	0.225
3" x 3"	51	33.3	103	66	105	0.255	0.330
4" x 4"	61	39.3	130	76	130	0.410	0.510