

# NASS Magent Form A DIN 43650A Solenoid Valve Connector DIN EN 175301-803 (ISO 4400)

## Housing

Type	one-piece
Color	black
Material	PA6 GF30
Imprint	n/a

## Cable gland

Thread	M20 x 1,5 mm
Cable diameter	6-8, 8-10 mm
Color	black
Material	PA6 GF30
Tightening torque	1,8 ± 0,2 Nm

## Terminal block

Material	PA6 GF30
Poles	2 + PE
Direction of protecting earth	lockable in 90 degree increments in housing
Contact distance	18 mm

## Contacts

Material	CuZn, tin-plated
Resistance	< 15 mOhm
Conductor cross-section	0,5 - 1,5 mm <sup>2</sup>
Tightening torque	0,2 + 0,1 Nm
Wire protection	with protection element

## Gasket

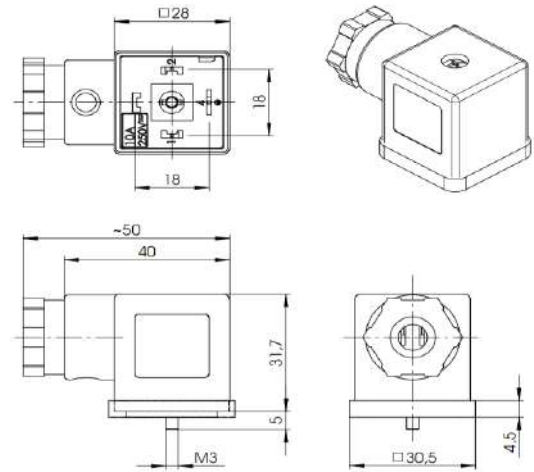
Material	NBR, black
Type	profile

## Fastening screw

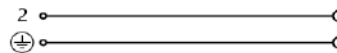
Material	steel 4.8, zinc-plated
Size	M3 x 33,5 mm (with cross recess)
Tightening torque	0,4 ± 0,1 Nm
Sealing washer	n/a

## General properties

Ambient temperature range	-25°C ... +90°C
RoHS	yes
CSA approval	n/a



**Current Diagram**



## Circuit

Circuit	n/a
Color of LED	n/a
Protecting element	n/a
Voltage	0 V - 250 V
Current type	AC / DC
Operating current	max. 10 A
Protecting against wrong polarity	yes