

## Art8039

### Bimetal Thermometer (Adjustable Dial, Bottom Connection)

#### Features

*Bimetal thermometers are used for temperature direct measurement.  
The measuring element of the thermometer is a bimetal helix of rapid response.  
It is made of two strips of metal welded cold with different thermal expansion coefficients, which are twisted according to the temperature.  
Rotational motion is transferred, with low friction to the pointer.*

*Process connection: G 1/2" male thread AISI 316.*

*Dial: adjustable 90°.*

*Stem length: 100 mm.*

*Thermowell rod material: Stainless steel 316.*

*Thermowell diameter: 8 mm.*

*Box dimensions: 110 mm*

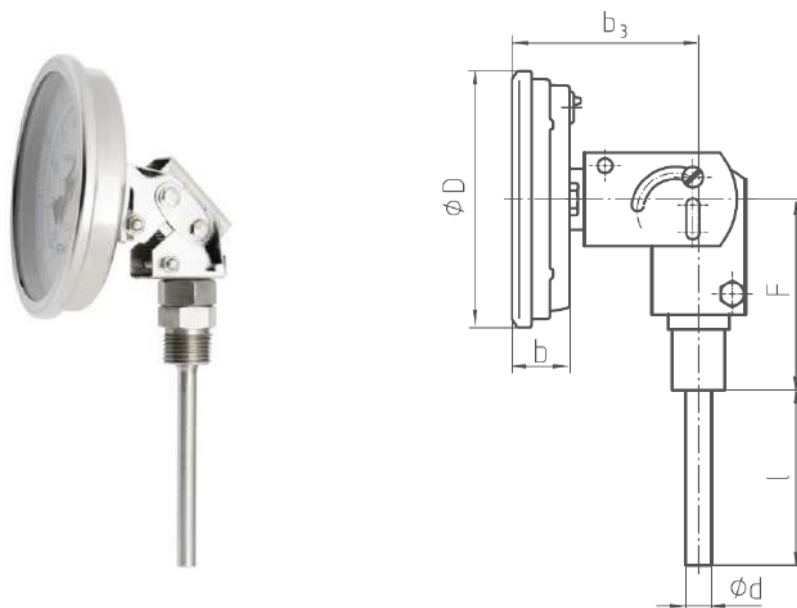
*Box material: Stainless steel 304.*

*Bezel material: Stainless steel 304.*

*Window: Glass*

*Double scale ° C and ° F*

*Accuracy: ± 1,6 %.*



## General Dimensions

Ref	Ø D (mm)	Ø d (mm)	l (mm)	b	G
8039 206	110	8	100	21	G 1/2"
8039 305	110	8	100	21	G 1/2"
8039 404	110	8	100	21	G 1/2"
8039 060	110	8	100	21	G 1/2"
8039 100	110	8	100	21	G 1/2"
8039 120	110	8	100	21	G 1/2"
8039 160	110	8	100	21	G 1/2"
8039 200	110	8	100	21	G 1/2"
8039 300	110	8	100	21	G 1/2"

## Scale Division

Ref	Range (°C)	Range (°F)	Scale Division °C	Scale Division °F
8039 206	-20 / +60	0 / 140	1	2
8039 305	-30 / +50	0 / 120	1	2
8039 404	-40 / +40	0 / 100	1	2
8039 060	0 / +60	32 / 140	1	2
8039 100	0 / +100	32 / 210	1	2
8039 120	0 / +120	32 / 250	1	5
8039 160	0 / +160	32 / 320	2	5
8039 200	0 / +200	32 / 400	2	5
8039 300	0 / +300	32 / 550	5	5