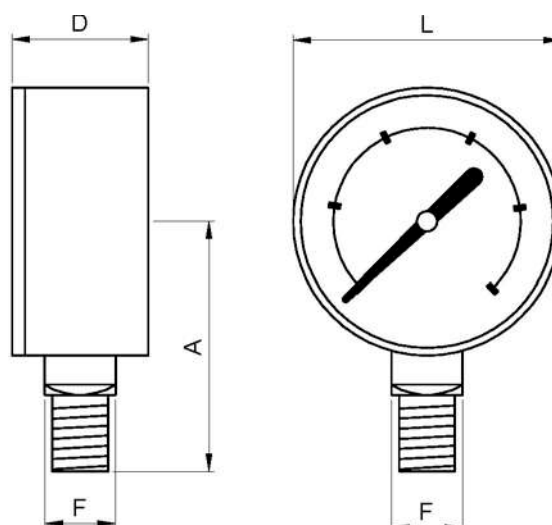


Art3825

63mm Dry Pressure Gauge (Red Index, Bottom BSP Connection)

Features

1. Size Ø63.
2. Pressure gauge with radial bottom connection, male thread (BSP) G 1/4" according ISO 228/1.
3. Case in black ABS.
4. Tube "Bourdon" and brass fitting connection according UNE-EN 12165.
5. White dial: black scale (bar) and red (psi).
6. Polycarbonate viewer.
7. Red index.
8. Class precision: cl. 2,5.
9. Scale available from 0 to 2,5 - 4 - 6 - 10 - 16 - 25 bar.
10. Working temperature: from -20°C to 60°C.



Ref	Scale		Dimensions (mm)				Weight (Kg)
	bar	psi	A	L	D	F	
3825 002	0 - 2,5	0 - 40	56	63	30	14x14	0,075
3825 004	0 - 4	0 - 60	56	63	30	14x14	0,075
3825 006	0 - 6	0 - 90	56	63	30	14x14	0,075
3825 010	0 - 10	0 - 150	56	63	30	14x14	0,075
3825 016	0 - 16	0 - 240	56	63	30	14x14	0,075
3825 025	0 - 25	0 - 400	56	63	30	14x14	0,075