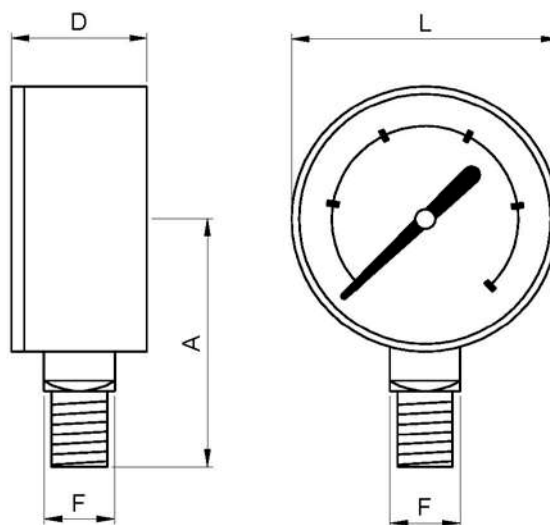


Art3824

100mm Glycerine Filled Pressure Gauge (Bottom BSP Connection)

Features

1. Size Ø100.
2. Pressure gauge with radial bottom connection, male thread (BSP) G 1/2" according ISO 228/1.
3. Case in stainless steel AISI 304.
4. Contains glycerine.
5. Tube "Bourdon" and fitting connection made of stainless steel AISI 304.
6. White dial: black scale (bar) and red (psi).
7. Polycarbonate viewer.
8. Rubber plug for filling hole.
9. Class precision: cl. 1,6.
10. Scale available from 0 to 2,5 - 4 - 6 - 10 - 16 - 25 - 40 - 60 - 100 bar.
11. Working temperature: from -20°C to 60°C.



| Ref | Scale | | Dimensions (mm) | | | | Weight (Kg) |
|----------|---------|----------|-----------------|-----|----|-------|-------------|
| | bar | Psi | A | L | D | F | |
| 3824 002 | 0 - 2,5 | 0 - 40 | 85 | 100 | 36 | 22x22 | 0,561 |
| 3824 004 | 0 - 4 | 0 - 60 | 85 | 100 | 36 | 22x22 | 0,561 |
| 3824 006 | 0 - 6 | 0 - 90 | 85 | 100 | 36 | 22x22 | 0,561 |
| 3824 010 | 0 - 10 | 0 - 150 | 85 | 100 | 36 | 22x22 | 0,561 |
| 3824 016 | 0 - 16 | 0 - 240 | 85 | 100 | 36 | 22x22 | 0,561 |
| 3824 025 | 0 - 25 | 0 - 400 | 85 | 100 | 36 | 22x22 | 0,561 |
| 3824 040 | 0 - 40 | 0 - 600 | 85 | 100 | 36 | 22x22 | 0,561 |
| 3824 060 | 0 - 60 | 0 - 900 | 85 | 100 | 36 | 22x22 | 0,561 |
| 3824 100 | 0 - 100 | 0 - 1500 | 85 | 100 | 36 | 22x22 | 0,561 |