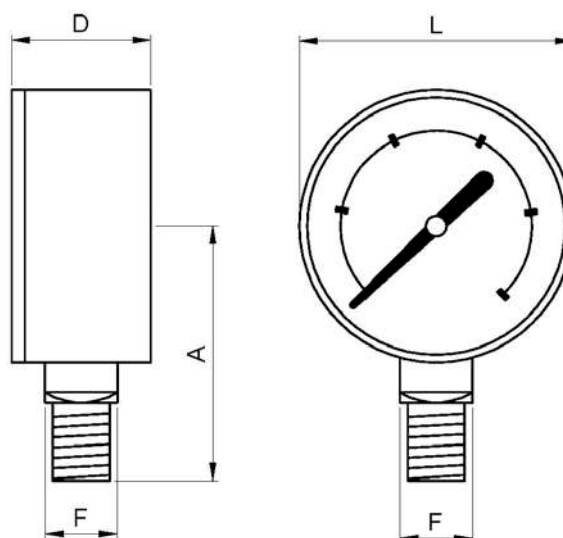


## Art3820

### 53mm Dry Pressure Gauge (Bottom BSP Connection)

#### Features

1. Size Ø53.
2. Pressure gauge with radial bottom connection, male thread (BSP) G 1/4" according ISO 228/1.
3. Case in black ABS.
4. Tube "Bourdon" and brass fitting connection according UNE-EN 12165.
5. White dial: black scale (bar) and red (psi).
6. Polycarbonate viewer.
7. Class precision: cl. 2,5.
8. Scale available from 0 to 2,5 - 4 - 6 - 10 - 16 - 25 bar.
9. Working temperature: from -20°C to 60°C.



Ref	Scale		Dimensions (mm)				Weight (Kg)
	bar	psi	A	L	D	F	
3820 002	0 - 2,5	0 - 40	47	53	27	14x14	0,064
3820 004	0 - 4	0 - 60	47	53	27	14x14	0,064
3820 006	0 - 6	0 - 90	47	53	27	14x14	0,064
3820 010	0 - 10	0 - 150	47	53	27	14x14	0,064
3820 016	0 - 16	0 - 240	47	53	27	14x14	0,064
3820 025	0 - 25	0 - 400	47	53	27	14x14	0,064