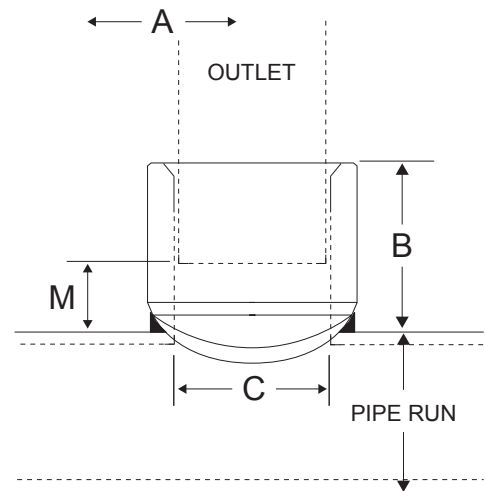
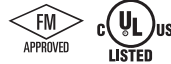


BSP Threaded Profiled Socket (Welded Outlet)

Technical Features

- **Sizes Available (Nominal) :**
 Pipe run : DN25/1 1/2" to DN200/8"
 Outlet : DN15/1 1/2" to DN65/2 1/2"
- **Pressure Data :**
 Working Pressure: 21.7 bar (300 psi)
Note : FM rated working pressure on schedule 5 pipe or less is 12.1 bar (175 psi)
- **Connections :** Weldable inlet and threaded female outlet according to ISO 7/1. ANSI B1.20.1 (NPT) available on request.
- **Specifications :** For use on schedule 5, 10 and 40 pipe.
- **Material :** Steel ASTM A53 Grade B



Dimensional Data

Outlet Nominal Pipe Size		Pipe Run Nominal Pipe Size		Dimensions (mm)				Reference	Weight (kg)	Quantity per box							
metric	inch	metric	inch	A	B	C	M										
DN15	1/2"	DN25	1"	27.5	27.0	18.0	7.5	BNO1/2X1	0.066	400							
		DN32	1 1/4"					BNO1/2X1-1/4	0.069								
		DN40	1 1/2"					BNO1/2X1-1/2	0.069								
		DN50	2"					BNO1/2X2	0.068								
		DN65	2 1/2"					BNO1/2X2-1/2	0.067								
		DN80	3"					BNO1/2X3	0.067								
		DN100	4"					BNO1/2X4	0.065								
DN20	3/4"	DN25	1"	33.8	28.6	23.0	8.6	BNO3/4x1	0.102	300							
		DN32	1 1/4"					BNO3/4X1-1/4	0.106								
		DN40	1 1/2"					BNO3/4X1-1/2	0.105								
		DN50	2"					BNO3/4X2	0.100								
		DN65	2 1/2"					BNO3/4X2-1/2	0.099								
		DN80	3"					BNO3/4X3	0.098								
		DN100	4"					BNO3/4X4	0.097								
		DN150	6"					BNO3/4X6	0.101								
		DN25	1"					DN32	1 1/4"		39.5	31.7	29.1	7.7	BNO1X1-1/4	0.128	200
								DN40	1 1/2"						BNO1X1-1/2	0.128	
DN50	2"			BNO1X2	0.127												
DN65	2 1/2"			BNO1X2-1/2	0.126												
DN80	3"			BNO1X3	0.124												
DN100	4"			BNO1X4	0.120												
DN150	6"			BNO1X6	0.120												
DN32	1 1/4"			DN40	1 1/2"	47.5	34.9	38.0	10.4	BNO1-1/4X1-1/2					0.180	100	
		DN50	2"	BNO1-1/4X2	0.171												
		DN65	2 1/2"	BNO1-1/4X2-1/2	0.165												
		DN80	3"	BNO1-1/4X3	0.161												
		DN100	4"	BNO1-1/4X4	0.163												
		DN150	6"	BNO1-1/4X6	0.160												
		DN40	1 1/2"	DN50	2"					55.0	41.3	44.0	16.8	BNO1-1/2X2	0.289		100
DN65	2 1/2"			BNO1-1/2X2-1/2	0.280												
DN80	3"			BNO1-1/2X3	0.276												
DN100	4"			BNO1-1/2X4	0.264												
DN150	6"			BNO1-1/2X6	0.248												
DN50	2"			DN65	2 1/2"	69.2	44.5	55.0	19.5					BNO2X2-1/2	0.508	50	
		DN80	3"	BNO2X3	0.498												
		DN100	4"	BNO2X4	0.485												
		DN150	6"	BNO2X6	0.464												
		DN200	8"	BNO2X8	0.458												
		DN65 (76.1)	2 1/2"	DN80	3"					86.0	56.3	71.0	22.3	BNO2-1/2X3	0.870		30
DN100	4"			BNO2-1/2X4	0.842												
DN150	6"			BNO2-1/2X6	0.818												
DN200	8"			BNO2-1/2X8	0.800												