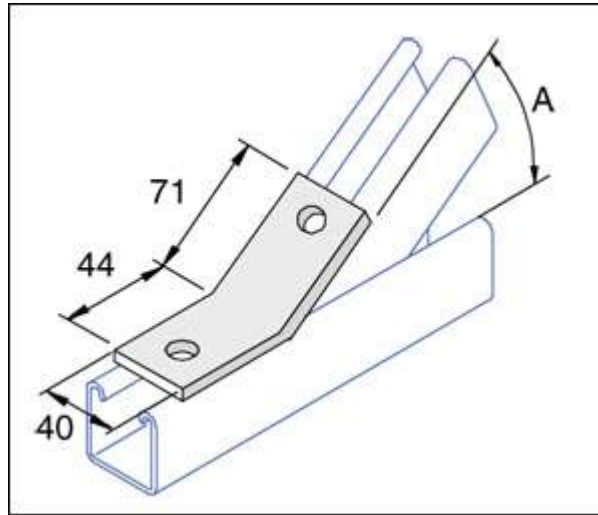


P1546 45 Degree Angle Channel Bracket (2 Holes)



Standard Dimensions:

The following are standard dimensions unless otherwise stated.

All dimensions subject to commercial tolerance.

Hole Size: 14mm diameter

Hole Spacing (From End):
20mm from end of fitting

Fitting Width: 41mm

Dimensions shown are for mild steel components only. Dimensions for stainless steel components may vary.

Part No.	Fin.	Size	Wt.	Box Qty
P1546	HG	45°	0.26	25
P2095	HG	75°	0.26	25
P2097	HG	60°	0.26	25
P1546	SS	45°	0.18	25
P2095	SS	75°	0.18	25
P2097	SS	60°	0.18	25