

P1325 90 Degree Angle Channel Bracket (4 Holes)

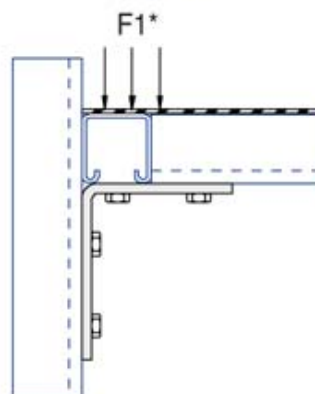
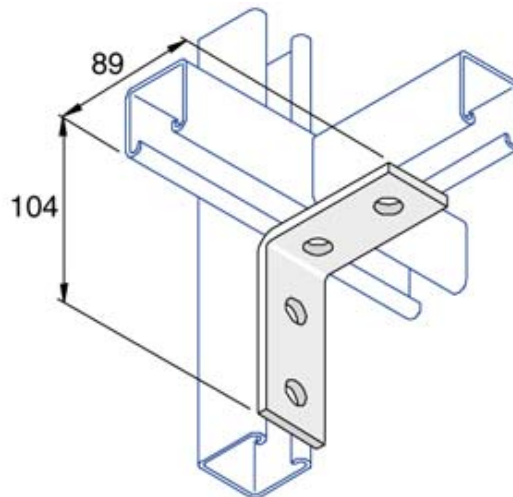
The following are standard dimensions unless otherwise stated.

All dimensions subject to commercial tolerance.

- Hole Size: 14mm diameter
- Hole Spacing (From End): 20mm from end of fitting
- Hole spacing (On Center): 48mm center to center
- Fitting Width: 40mm



Part No.	Finish	Weight	Box Qty
P1325	HG	0.26	25
P1325	SS	0.26	25



F1*: P1000: 9100 N
P2000: 4500 N

